

# *Magellan*

by TRIANGLE

## COMPACT SPEAKERS: STANDMOUNT AND CENTER SPEAKER



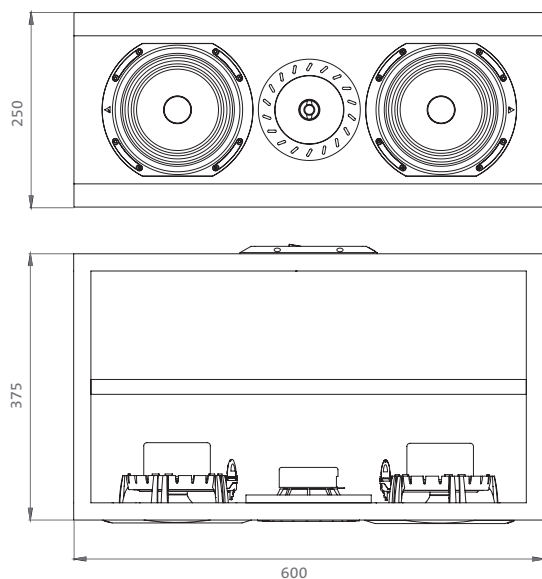
*«I am rediscovering what 'sound' really means, that's exactly the impression I get when I'm listening to TRIANGLE speakers. The pure pleasure of sound at its most perfect; it's simply joy to my ears»*

PHILIPPE GLORIOSO  
photographe et capteur d'émotion



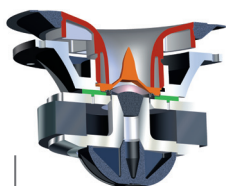
*H*igh-gloss lacquer finish available in Black, White, Mahogany or Bubinga on *Voce* and *Duetto*.

# TECHNICAL SPECIFICATIONS



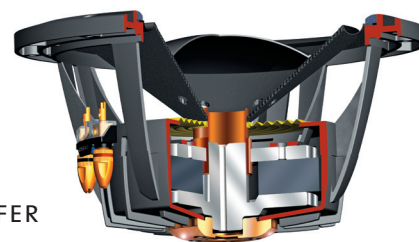
## VOCE

NUMBER OF DRIVERS	<b>3</b>
NUMBER OF WAYS	<b>2</b>
TWEETER	<b>TZ2900 MS</b>
MIDRANGE – WOOFER	<b>T16GMF72MS-MR1</b>
SENSITIVITY (dB/W/m)	<b>91</b>
FREQUENCY RANGE (+/- 3dB Hz-KHz)	<b>50 – 20</b>
POWER HANDLING (W)	<b>100</b>
REPETITIVE PEAK POWER	<b>200</b>
NOMINAL IMPEDANCE (Ω)	<b>8</b>
MINIMUM IMPEDANCE (Ω)	<b>4</b>
HIGH FREQUENCY ROLL-OFF (Hz)	<b>2800 (24dB/Oct)</b>
DIMENSIONS (HxLxP mm)	<b>250 x 600 x 375</b>
WEIGHT (Kg)	<b>19</b>
BASE (option)	<b>TS300</b>



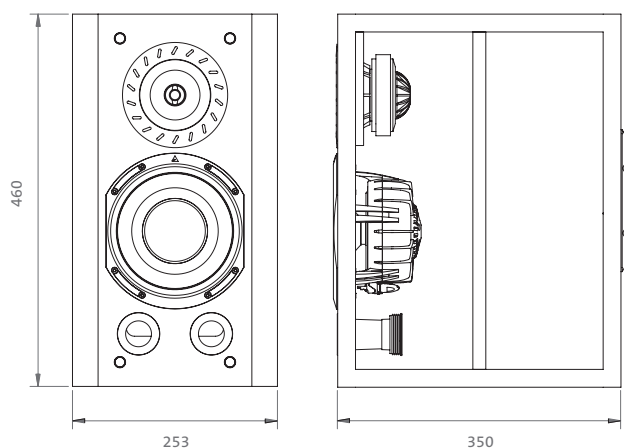
### TWEETER TZ2900 GC

Optimized by computer simulation, its horn is shaped to provide a substantial attenuation of the directivity effect, i.e. off-axis drop in high frequency level. A remarkably smooth and fluid musical quality!



### MIDRANGE – WOOFER T16GM-MT15-GC2

In the MAGELLAN range, the WOOFERS deliver realistic acoustic levels with minimum distortion.



## DUETTO

NUMBER OF DRIVERS	<b>2</b>
NUMBER OF WAYS	<b>2</b>
TWEETER	<b>TZ2900 GC</b>
MIDRANGE – WOOFER	<b>T16GM-MT10-GC1</b>
SENSITIVITY (dB/W/m)	<b>88</b>
FREQUENCY RANGE (+/- 3dB Hz-KHz)	<b>38 – 20</b>
POWER HANDLING (W)	<b>80</b>
REPETITIVE PEAK POWER	<b>160</b>
SPL MAX (dB)	<b>107</b>
NOMINAL IMPEDANCE (Ω)	<b>8</b>
MINIMUM IMPEDANCE (Ω)	<b>4</b>
HIGH FREQUENCY ROLL-OFF (Hz)	<b>2800 (24dB/Oct)</b>
DIMENSIONS (HxLxP mm)	<b>460 x 253 x 350</b>
WEIGHT (Kg)	<b>16</b>
BASE (option)	<b>TS400</b>

